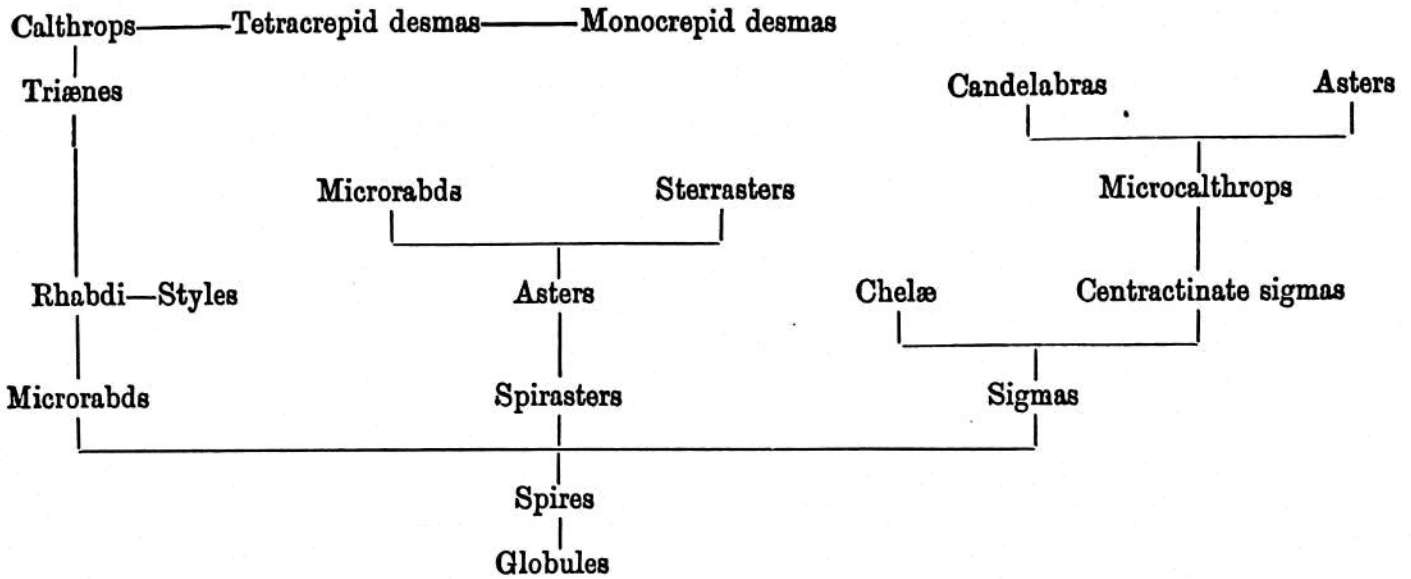
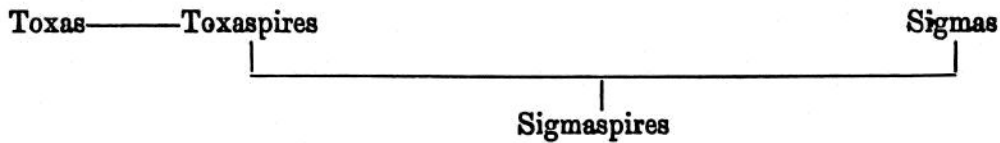


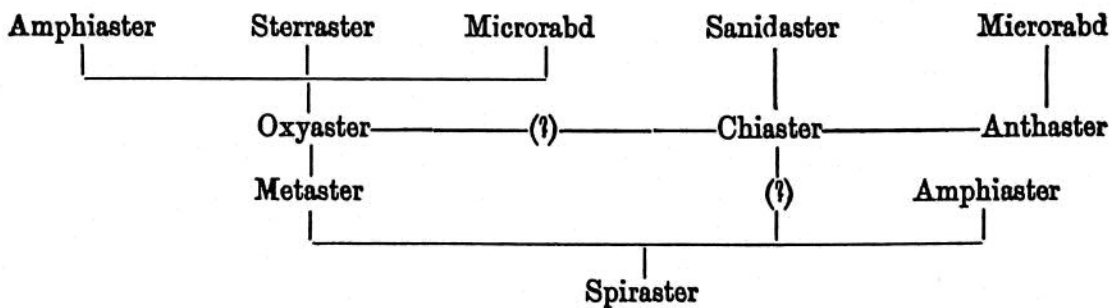
*Affiliation of the principal forms of Spicules in the Desmospongiæ.*



*Affiliation of the Spires.*



*Affiliation of the Asters.*



*Affiliation of the Triænes.*

